

Flyer 650 Sun Deck



Document non contractuel



Profile: Versatile Day boat for sport and leisure sailing

- The spacious interior of the Flyer 650 Sun Deck offers optimum comfort for a Day boat programme.

Key features:

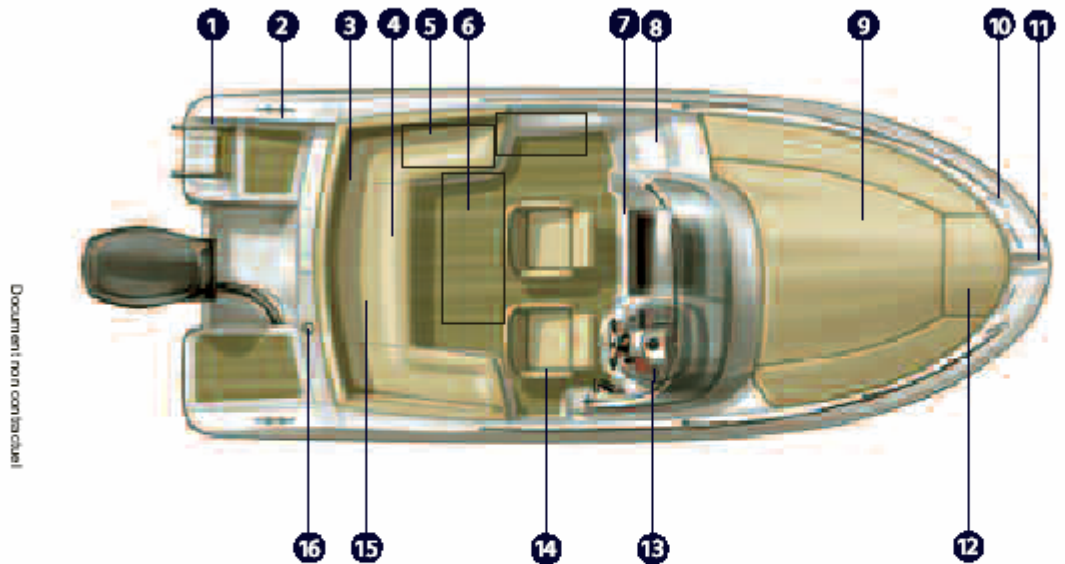
Basics:

- Stable and performance planing hull
- Designer: P.Andreani
- Trailerable
- Boat capacity: 7

Plus points on Flyer 500 & 550 Sun Deck Versions:

- Wide 5 / 6-seater cockpit bench
- Versatile cockpit for fishing or cruising (removable central section of aft bench) (option)
- Large sunbathing platform forward (2.20 x 2m) (option)
- Choice of 2 driver's seats: Bolster function or Leaning post (option)
- Cabin: double berth (2.10m x 1.65m)

Flyer 650 Sun Deck



Forecabin:

- Headroom: 1.33m
- Double berth (2.10m x 1.65m)
- Interior cushions (Option)

- | | | | | |
|--|--|--|--|---|
| <p>1 Built-in telescopic bathing ladder</p> <p>2 Cockpit shower (pressurised cold water)</p> <p>3 6-seater U-shaped cockpit bench</p> | <p>4 Removable central section of bench (for fishing)</p> <p>5 Lockers along sides</p> | <p>6 Lockable stowage locker – access to 137L fuel tank, battery switch and 12V 110 Ah engine battery (Option)</p> <p>7 Grey translucent PMMA sliding door</p> | <p>8 40cm wide port side deck</p> <p>9 2.20x2.0m sunbathing deck ("Columbia" PVC upholstery - Option)</p> <p>10 Open pulpit</p> | <p>11 Aluminium bow fitting with roller</p> <p>12 Anchor well with cover</p> <p>13 Driving console with position for electronics, 2 rev. counters, fuel gauge and 12V socket. Sport steering wheel and engine control (option).</p> <p>14 Driver's and co-driver's seats with bolster function</p> <p>15 Liferaft stowage built-in under cockpit bench</p> <p>16 Fuel deck filler</p> |
|--|--|--|--|---|